

TEAC SCHEMATIC DIAGRAM A-1D

1

2

3

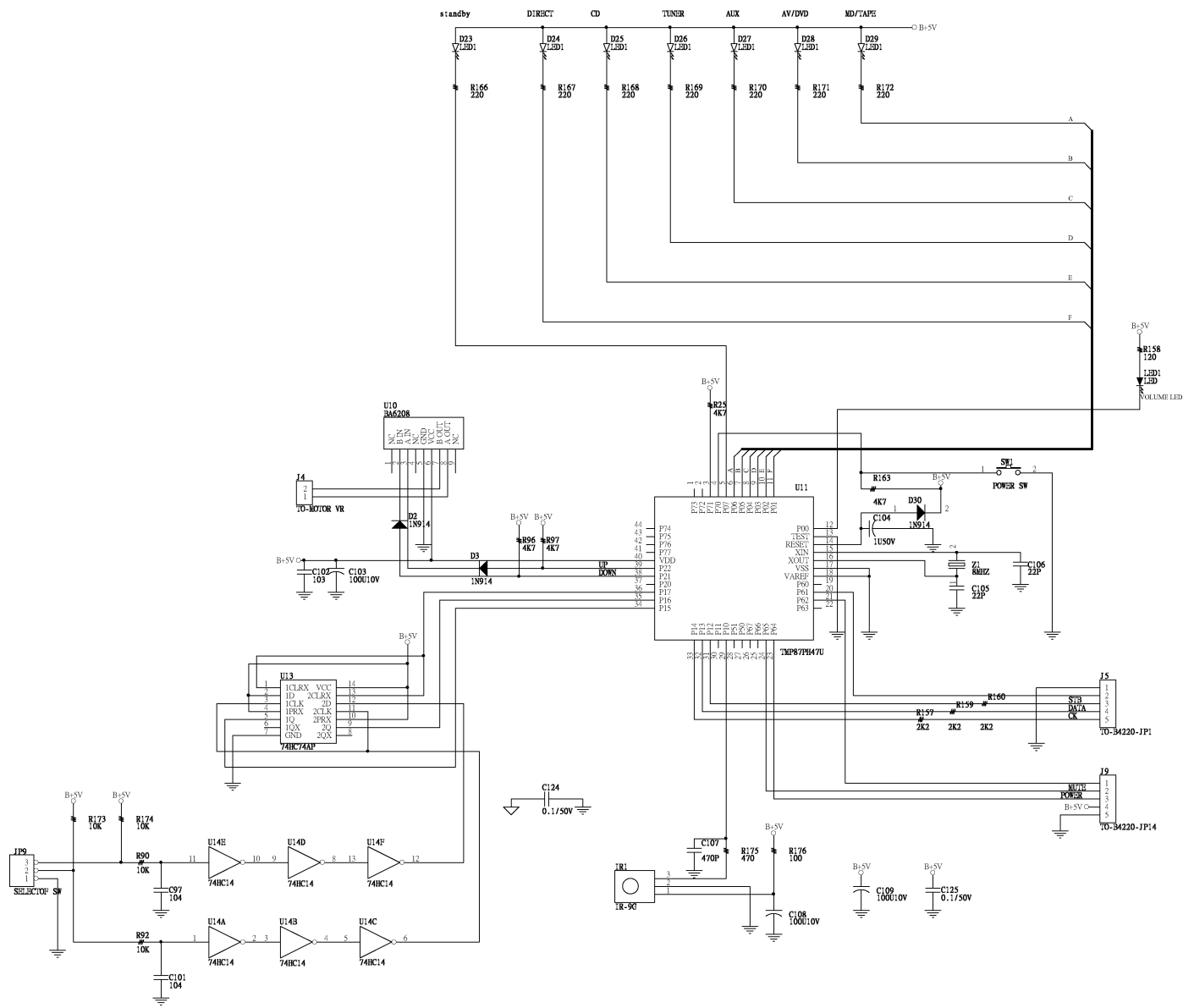
4

5

A

B

C



A-1D

Integrated Stereo Amplifier

1st Issue; August 2002

